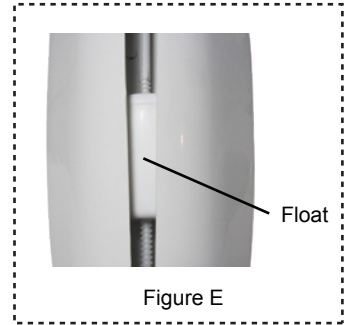
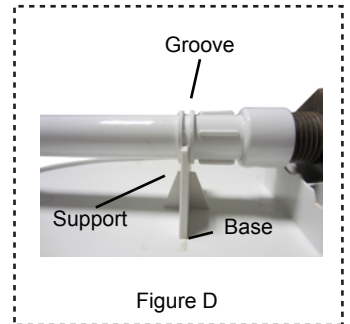
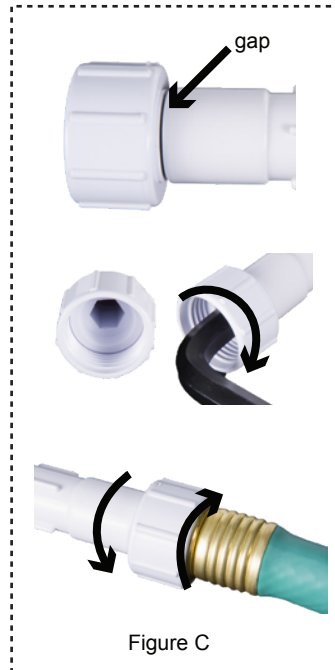
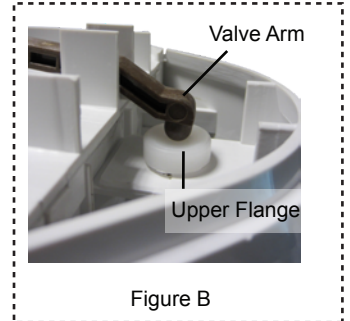
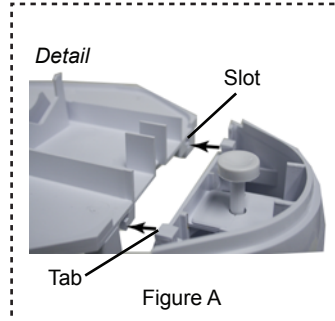




For Aboveground Models with clamp, see other side first

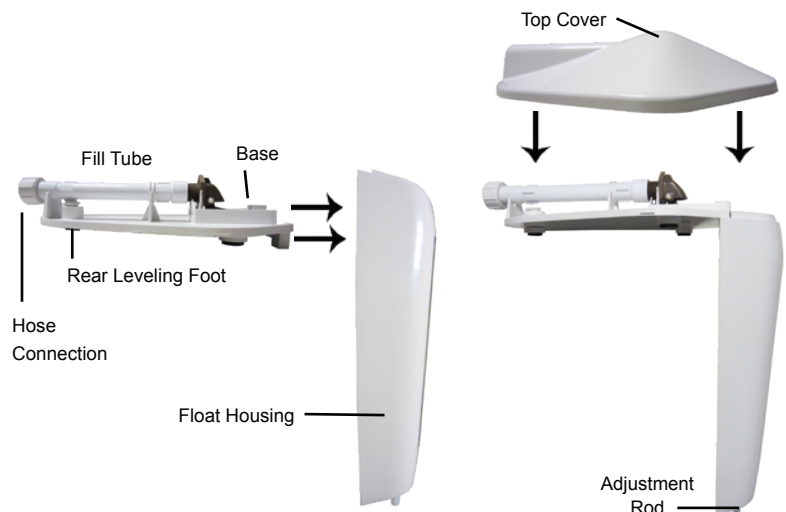
Assembly Instructions:

1. Remove the top cover from the base. Take a flat head screwdriver wrap the tip in tape to be used to release the snaps if needed. Install the float housing onto the base by sliding the two tabs at the top of the float housing into the corresponding slots on the base. (Fig. A) Be sure the valve arm is resting on the upper flange of the float adjustment rod. (Fig. B)
2. **IMPORTANT:** Check tightness between hose connection and fill tube. If there is any visible gap, tighten with a 10mm allen wrench or attach garden hose and twist to tighten. (Fig C)
3. Ensure the fill tube is seated properly on the base. The groove on the fill tube should rest on the support in the center of the base. (See Fig. D) Then snap the top cover back onto the base.



Operation Instructions:

1. Attach garden hose to the hose connection on the fill tube.
2. Adjust the level of the float to the desired level by turning the threaded adjustment rod at the bottom of the float housing. The horizontal line on the float approximates where the water level of the pool will be maintained. (see Fig. E)
3. Adjust the rear leveling foot to the appropriate height. It is recommended that the unit tilt toward the pool slightly.
4. The unit is weighted. If more weight is necessary, weights such as rocks, can be placed inside the base to help stabilize the unit.





CUSTOM MOLDED PRODUCTS

AQUALEVEL

FOR ABOVE GROUND POOLS

CMP# 25604-1xx

The AquaLevel for above ground pools is designed to fit pools with a top rail from 6" to 12" wide, and up to 3" thick. Follow the instructions below to adjust the unit for your size pool.

Tools Required: Phillips Head Screwdriver

Installation instructions:

- 1. Install clamp assembly prior to installing the valve assembly or top cover.** Installation instructions pertaining to the valve and cover are on the other side of this sheet. Install clamp assembly by sliding into the corresponding tracks on the bottom of the AquaLevel base. *See Figure 1*
- 2a.** If your pool's top rail is between 6" and 8-3/4" wide, line up the clamp so that Slot 1 overlaps Hole A. *See Figure 2*
- 2b.** If your pool's top rail is between 8-3/4" and 9-3/4" wide, line up the clamp so that Slot 2 overlaps Hole B. *See Figure 3*
- 2c.** If your pool's top rail is between 9-3/4" and 12" wide, line up the clamp so that Slot 1 overlaps Hole C. *See Figure 4*
- 3.** Install locking screw through the slot and into the hole to secure the clamp in the desired location.
- 4.** Adjust the clamp to the open position by pushing the handle slightly to the front of the AquaLevel while simultaneously pulling the handle down. Note: the handle will lock itself into position when at rest due to gravitational pull.
- 5.** Place the assembly onto the top rail making sure the threaded clamp rod passes underneath the rail.
- 6.** Push the handle up as far as it will go then turn the handle of the clamp to tighten the AquaLevel to the pool top rail.
- 7.** Refer to other side of this instruction sheet for operation instructions for the AquaLevel.

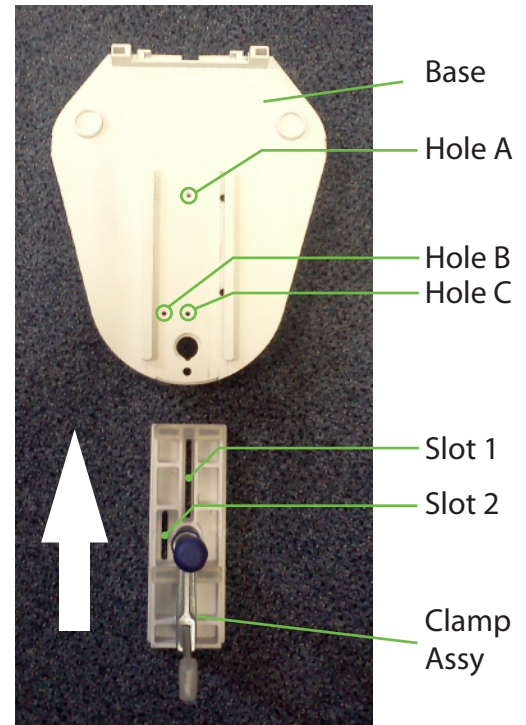


Figure 1



Figure 2



Figure 3

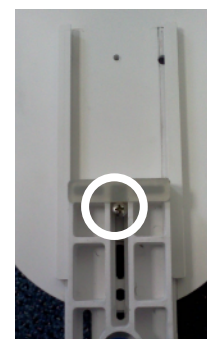


Figure 4