

PRODUCT INFORMATION PACKET



Model No: HST225
Catalog No: HST225

Centurion PRO® Motors Pool Pump Motor, 2.25 HP, 1 Ph, 60 Hz, 208-230/115 V, 3600 RPM, 56J Frame,
ODP



Regal and Century are trademarks of Regal Rexnord Corporation or one of its affiliated companies.
©2022 Regal Rexnord Corporation, All Rights Reserved. MC017097E





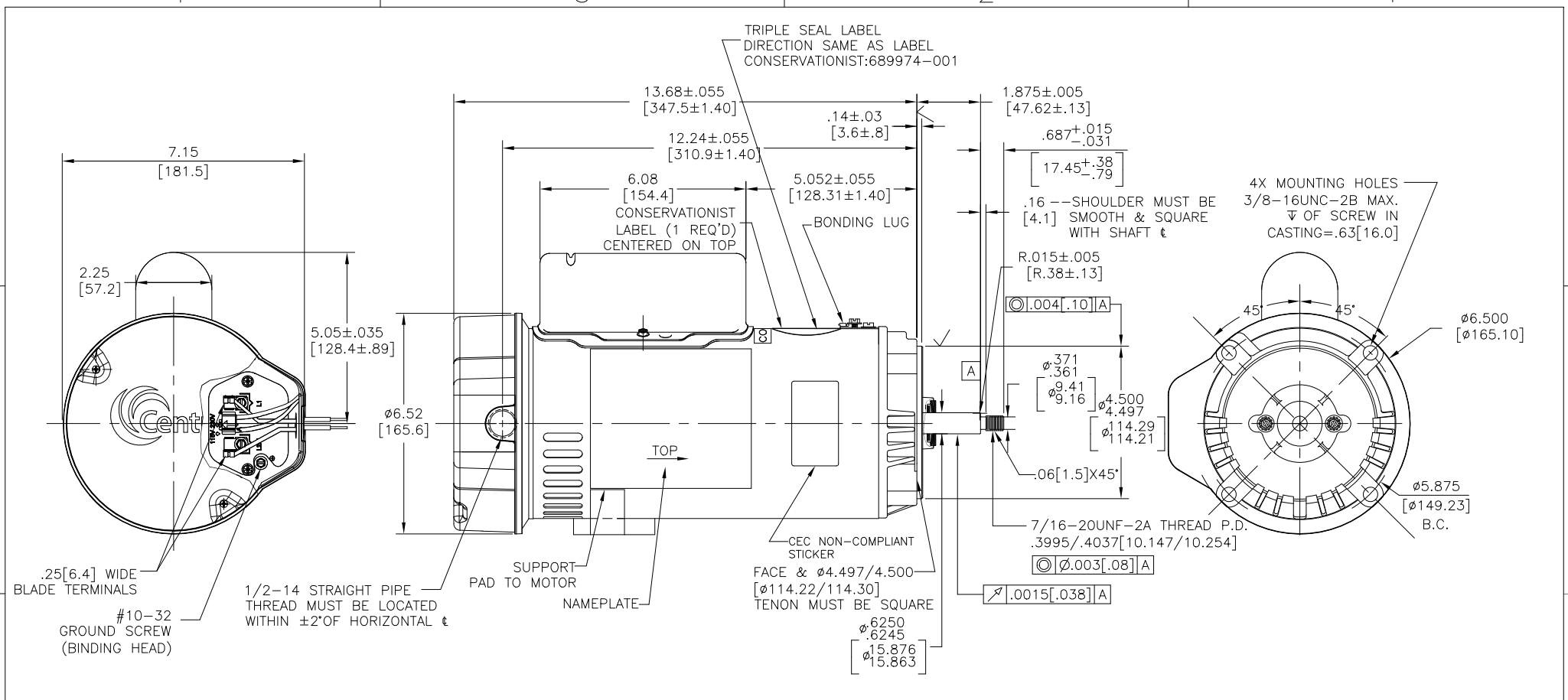
Nameplate Specifications

| | | | |
|--------------------|-------------------------|---------------------|------------------------|
| Output HP | 2.25 Hp | Output KW | 1.7 kW |
| Frequency | 60 Hz | Voltage | 208-230/115 V |
| Current | 10.9-10.2/20.4 A | Speed | 3450 rpm |
| Service Factor | 1 | Phase | 1 |
| Duty | Continuous | Insulation Class | F |
| Frame | 56J | Enclosure | Open Drip Proof |
| Thermal Protection | Automatic | Ambient Temperature | 50 °C |
| UL | Recognized | CSA | Y |
| Number of Speeds | 1 | | |

Technical Specifications

| | | | |
|-----------------------|--------------------------------------|-------------------|---------------------|
| Electrical Type | Capacitor Start Capacitor Run | Poles | 2 |
| Rotation | Counterclockwise Pump End | Mounting | Round |
| Motor Orientation | Horizontal | Drive End Bearing | Ball |
| Opp Drive End Bearing | Ball | Frame Material | Rolled Steel |
| Shaft Type | 7/16 THREADS | Overall Length | 16.24 in |
| Frame Length | 9.50 in | Shaft Diameter | 0.625 in |
| Shaft Extension | 2.562 in | | |
| Connection Drawing | D0000312-001 | Outline Drawing | HST225-S01 |

This is an uncontrolled document once printed or downloaded and is subject to change without notice. Date Created:11/28/2022

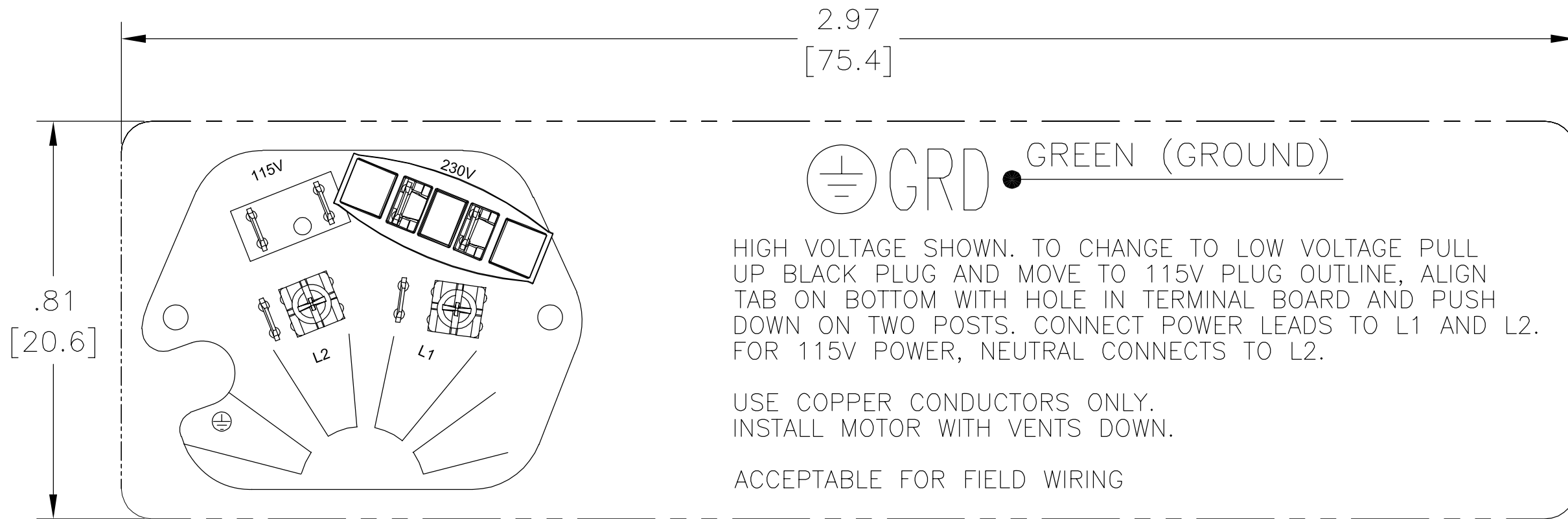


| NAMEPLATE DATA | EXTERNAL CONNECTION DIAGRAM | NOTES |
|--|---|--|
| MODEL: K48AA31A01 CUST PN: HST225 HP: 2.25 SF: 1.00 ROT: CCWPE RPM: 3450 TYPE: K CODE: E FORM: FRAME: 56J VOLTS: 208-230/115 AMPS: 10.9-10.2/20.4 MAX AMPS: - SF AMPS: - PH: 1 HZ: 60 INS: F AMB: 50 DUTY: CONT ENCLOSURE: ODP THERM. PROT. CET36SM | <p>115V 230V L3 L2 L1 GND GREEN (GROUND)</p> <p>HIGH VOLTAGE SHOWN. TO CHANGE TO LOW VOLTAGE PULL UP BLACK PLUG AND MOVE TO 115V POSITION. PUSH ARROW ON PLUG TO ARROW ON TERMINAL BOARD AND PUSH DOWN ON TWO PINS. CONNECT POWER LEADS TO L1 AND L2. FOR 115V POWER, NEUTRAL CONNECTS TO L2.</p> <p>USE COPPER CONDUCTORS ONLY. INSTALL MOTOR WITH VENTS DOWN. ACCEPTABLE FOR FIELD WIRING</p> <p>D0000312-007</p> | 1. FINISH PAINT TO BE SATIN BLACK. 2. 7/16 WRENCH FLATS ON SHAFT-FOR ACCESS TO THIS WRENCH FLAT REMOVE END COVER. 3. STAINLESS STEEL SHAFT EXT. 4. LIMITS ON AMPLITUDE OF VIBRATION MEASURED AT BEARING HOUSING = .001[.03]. 5. DUAL VOLTAGE MOTORS ARE TO BE CONNECTED FOR HIGHER VOLTAGE. QUICK VOLTAGE CHANGE PLUG INCLUDED ON THE TERMINAL BOARD. 6. SUPPORT PAD TO BE PACKED WITH EACH MOTOR 7. CTQ REQUIREMENT SEE EP000105-008 8. RoHS & REACH REQUIREMENT SEE EP000014. |

| PERFORMANCE CURVE | APPROVED SAMPLE | | |
|-------------------|-----------------------|---------|---------|
| K48M2W16 | | | |
| UL COMPONENT | CSA | | |
| FILE# | CCN# | FILE# | GUIDE# |
| E25022 | XEW2 | LR43341 | 4211-01 |
| CUSTOMER | DISTRIBUTION SERVICES | | |

| | | | | | | |
|--|------------------|---|------------|--|---------------------|---|
| CRITICAL TO QUALITY CHARACTERISTICS (CTQs) (P) PROCESS (E) ENGINEERING (A) APPLICATION (R) REGULATORY (L) LIFE | DRAWING REVISION | REVISION BY | DATE | TOLERANCES UNLESS OTHERWISE SPECIFIED DEC. INCH mm ANGLE .XX ±0.1 [±3] ∠0.5° .XX ±0.02 [±0.5] .XXX ±0.005 [±0.13] .XXXX ±0.0005 [±0.013] REMOVE BURRS & BREAK SHARP EDGES .003,015 [0.08,0.38] CORNER FILLETS .02 [5] MACHINED SURFACES 129 mm 3/2 mm SHOWN IN [BRACKETS] | DRAWN BY: | Regal Beloit America, Inc. DESCRIPTION MODEL-PFHP-48FR OUTLINE MATERIAL - PROCESS/FINISH - SIZE DWG NO HST225 SHEET 1 |
| | ECO | JUDY ZHU | 05-12-2022 | | Y.LIU | |
| | ECR-0217724 | APPROVED BY JANE WU | 05-12-2022 | | DATE: 08-13-2012 | |
| | ECO DESCRIPTION | CHANGE CONNECTION DIAGRAM TO D0000312-007 | | | APPROVED BY: K.GONG | |
| COPYRIGHT REGAL BELOIT AMERICA, INC. ALL RIGHTS RESERVED. PROPRIETARY AND CONFIDENTIAL INFORMATION - THIS DOCUMENT IS THE PROPERTY OF REGAL BELOIT AMERICA, INC. (OWNER) AND CONTAINS OWNER'S PROPRIETARY INFORMATION. ANY REPRODUCTION OR OTHER USE WITHOUT THE WRITTEN PERMISSION OF REGAL BELOIT AMERICA, INC. IS STRICTLY PROHIBITED. BY RECEIVING IT, TO AGREE THAT IT, AND/OR ANY PART OF IT, SHALL NOT BE DISCLOSED TO ANY PERSON, CORPORATION OR OTHER ENTITY, DUPLICATED, AND/OR USED, EXCEPT AS EXPRESSLY APPROVED IN WRITING IN ADVANCE BY OWNER. THIS DOCUMENT SHALL BE RETURNED TO OWNER UPON REQUEST. IT MAY BE SUBJECT TO CERTAIN RESTRICTIONS UNDER APPLICABLE EXPORT CONTROL LAWS AND REGULATIONS. | | | | DATE: 08-13-2012 | REFERENCE | |

| | | | | | |
|-----|-------------|----------|------------|---------------|------------|
| REV | ECO | REV BY | DATE | APPD | DATE |
| B | ECO-0026812 | J. JOHNS | 06/11/2012 | M. OVERHOLSER | 06/11/2012 |



USED FOR DUAL VOLTAGE – 230 VOLTS

- NOTE:
1. FOR USE WITH 2514896 NAME PLATE BLANK.
 2. _____ INDICATES DIMENSIONAL LIMITS.
 3. DIE MUST PRODUCE A LEGIBLE IMPRESSION.

GEOMETRIC CHARACTERISTICS & SYMBOLS
 ▭ FLATNESS
 — STRAIGHTNESS
 < ANGLARITY
 ⊥ PERPENDICULARITY (SQUARENESS)
 // PARALLELISM
 ○ ROUNDNESS (CIRCULARITY)
 ⊘ CYLINDRICITY
 △ PROFILE OF ANY SURFACE
 ∩ PROFILE OF ANY LINE
 ↑ RUNOUT
 ⊕ TRUE POSITION
 ◎ CONCENTRICITY
 = SYMMETRY

UNLESS OTHERWISE SPECIFIED
 DIM. TOLERANCES ARE AS FOLLOWS:
 INCH X XX XXX XXXX
 mm ±0.5 ±0.13 ±0.013
 ANG. ±.50 DEG
 REMOVE BURRS & BREAK SHARP EDGES:
 INCH .003-.015 mm 0.1-0.4
 CORNER FILLETS TO:
 INCH .020 mm 0.5
 MACHINE SURFACES:
 INCH 125 mm 3.2

DR BY: J. JOHNS 02/07/2011
 APPD: FS3 02/07/2011
 THIRD ANGLE PROJECTION
 EDS DATE 11-11-2011
 FORMAT REV H
 CONFIDENTIAL: THIS DRAWING AND ITS INFORMATION ARE THE EXCLUSIVE AND CONFIDENTIAL PROPERTY OF REGAL-BELOIT CORPORATION AND ARE NOT TO BE DISCLOSED, DUPLICATED, DISTRIBUTED OR OTHERWISE USED WITHOUT THE WRITTEN CONSENT OF REGAL-BELOIT CORPORATION. -ALL RIGHTS RESERVED.

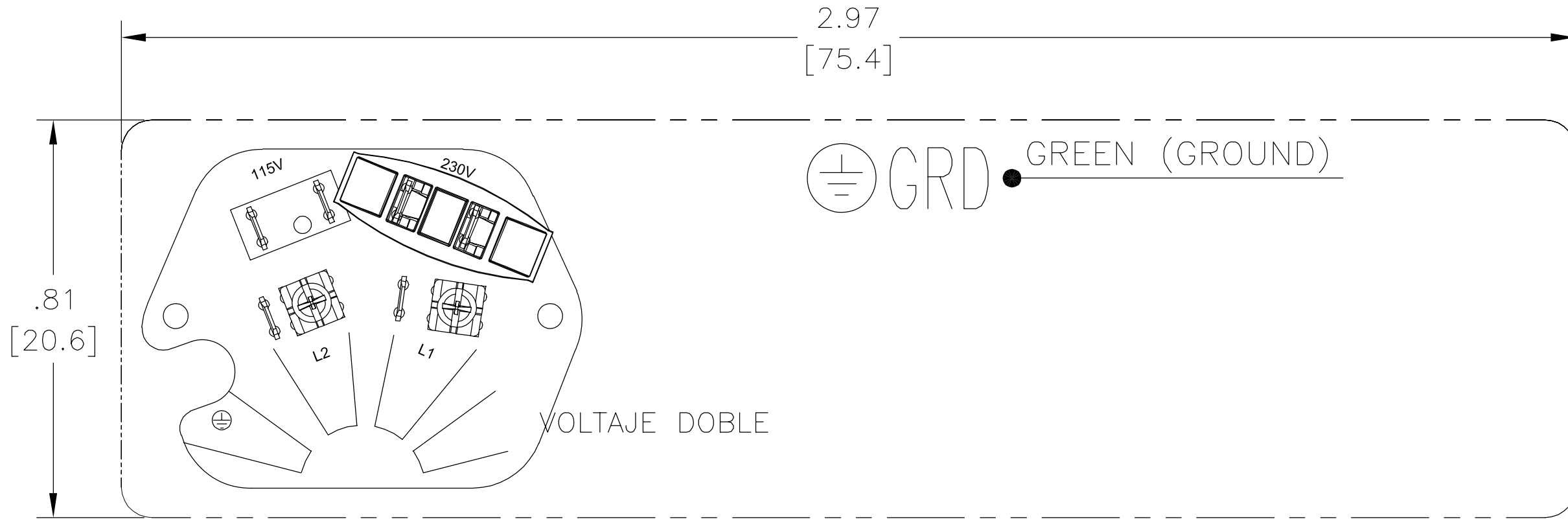
REGAL REGAL-BELOIT CORPORATION

DESCRIPTION
 CONN DIAGRAM-NAMEPLATE

SIZE A DWG NO D0000312-001

SCALE NONE SHEET 1

| | | | | | |
|-----------|-------------|---------------|------------|---------------|------------|
| REVISION: | ECO | REVISADO POR: | FECHA: | APROBADO POR: | FECHA: |
| B | ECO-0026812 | J. JOHNS | 06/11/2012 | M. OVERHOLSER | 06/11/2012 |



NOTAS:

1. PARA USARSE CON LA PLACA DE DATOS EN BLANCO 616231.
2. INDICA LIMITES DIMENSIONALES.
3. EL DADO DEBE PRODUCIR UNA IMPRESION LEGIBLE.

CARACTERISTICAS DE GEOMETRIA Y SIMBOLOS

- ▭ PLANICIDAD
- RECTITUD
- ∠ ANGULARIDAD
- ⊥ PERPENDICULARIDAD (A ESCUADRA)
- // PARALELISMO
- REDONDEZ (CIRCULARIDAD)
- ⊘ CILINDRICIDAD
- ⌒ PERFIL DE CUALQUIER SUPERFICIE
- ⌒ PERFIL DE CUALQUIER LINEA
- ↑ VARIACION
- ⊕ POSICION REAL
- ◎ CONCENRICIDAD
- ≡ SIMETRIA

A MENOS QUE SE ESPECIFIQUE DE OTRA MANERA, LAS TOLERANCIAS DE LAS DIMS; SON LAS SIGUIENTES:

| | | | | |
|------|------|-------|--------|--------|
| | X | XX | XXX | XXXX |
| PULG | ±.1 | ±.02 | ±.005 | ±.0005 |
| mm | ±0.5 | ±0.13 | ±0.013 | |

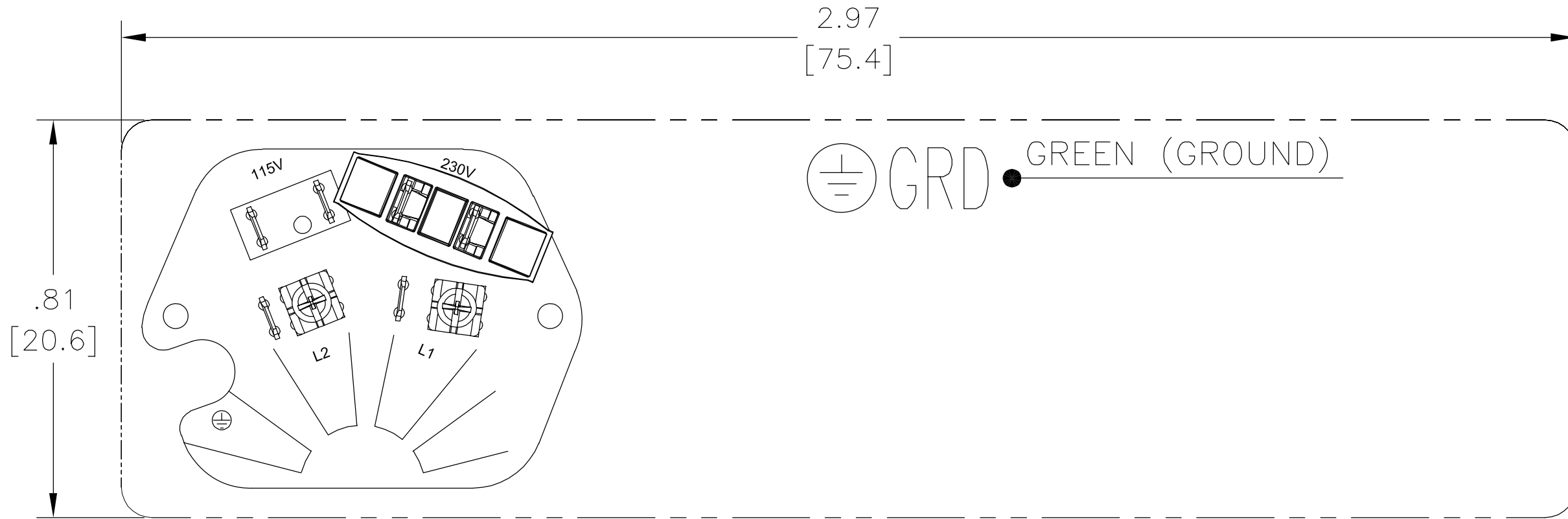
ANG. ±.50 GRADOS
 ELIMINAR REBABAS Y ORILLAS FILOSAS DEL BORDE.
 PULG .003-.015 mm 0.1-0.4
 FILETEAR ESQUINA: PULG .020 mm 0.5
 MAQUINAR SUPERFICIES
 PULG 125 mm 3.2

DIMS METRICAS MOSTRADAS [PARENTESIS]

| | | |
|---|----------|--|
| DIBUJADO POR: | J. JOHNS | 02/07/2011 |
| APROBADO POR: | FS3 | 02/07/2011 |
| TERCER ANGULO DE PROYECCION | ⊕ | FECHA EDS: 11-11-2011 REV. FORMATO: H |
| CONFIDENCIAL: ESTE DIBUJO Y SU INFORMACION SON PROPIEDAD DE USO EXCLUSIVO Y CONFIDENCIAL DE REGAL-BELOIT CORPORATION Y NO DEBERAN SER REVELADOS, DUPLICADOS, DISTRIBUIDOS O USARSE DE OTRA MANERA SIN EL CONSENTIMIENTO ESCRITO DE REGAL-BELOIT CORPORATION.-TODOS LOS DERECHOS RESERVADOS. | | |

| | |
|--|--------------------------------|
| REGAL REGAL-BELOIT CORPORATION | |
| DESCRIPCION: CONN DIAGRAM-NAMEPLATE | |
| TAMAÑO: A | NUMERO DE DIBUJO: D0000312-001 |
| ESCALA: NONE | HOJA: 1 |

| | | | | | |
|----|-------------|----------|------------|---------------|------------|
| 版本 | ECO | 编制 | 日期 | 批准 | 日期 |
| B | ECO-0026812 | J. JOHNS | 06/11/2012 | M. OVERHOLSER | 06/11/2012 |



用于双电压230伏特

技术要求

- 1、用于616231空白铭牌。
- 2、---表明尺寸范围。
- 3、字迹必须清晰。

形位公差
 □ 平面度
 — 直线度
 < 倾斜度
 ⊥ 垂直度
 // 平行度
 ○ 圆度
 ⊙ 圆柱度
 △ 面轮廓度
 ∩ 线轮廓度
 ↗ 圆跳动
 ⊕ 位置度
 ◎ 同轴度
 ≡ 对称度

除另有注明
 尺寸公差如下:
 英寸 X XX XXX XXXX
 毫米 ±.1 ±.02 ±.005 ±.0005
 角度 ±.50 度
 清理毛刺和尖棱
 英寸 .003-.015 毫米 0.1-0.4
 内圆角
 英寸 .020 毫米 0.5
 表面粗糙度
 英制 125 米制 3.2
 米制尺寸显示在 []

ASME Y14.5M 1994

绘图: J. JOHNS 02/07/2011
 批准: FS3 02/07/2011
 第三角投影 图纸格式发布日期 11-11-2011
 图纸格式版本 H
 机密:本图纸及相关信息所有权归REGAL-BELOIT CORPORATION。
 未经REGAL-BELOIT CORPORATION书面授权,不得泄露、
 复制、传播或作其他用途。--版权所有



名称
 CONN DIAGRAM-NAMEPLATE

图幅 A 图号 D0000312-001

比例 NONE 页号 1